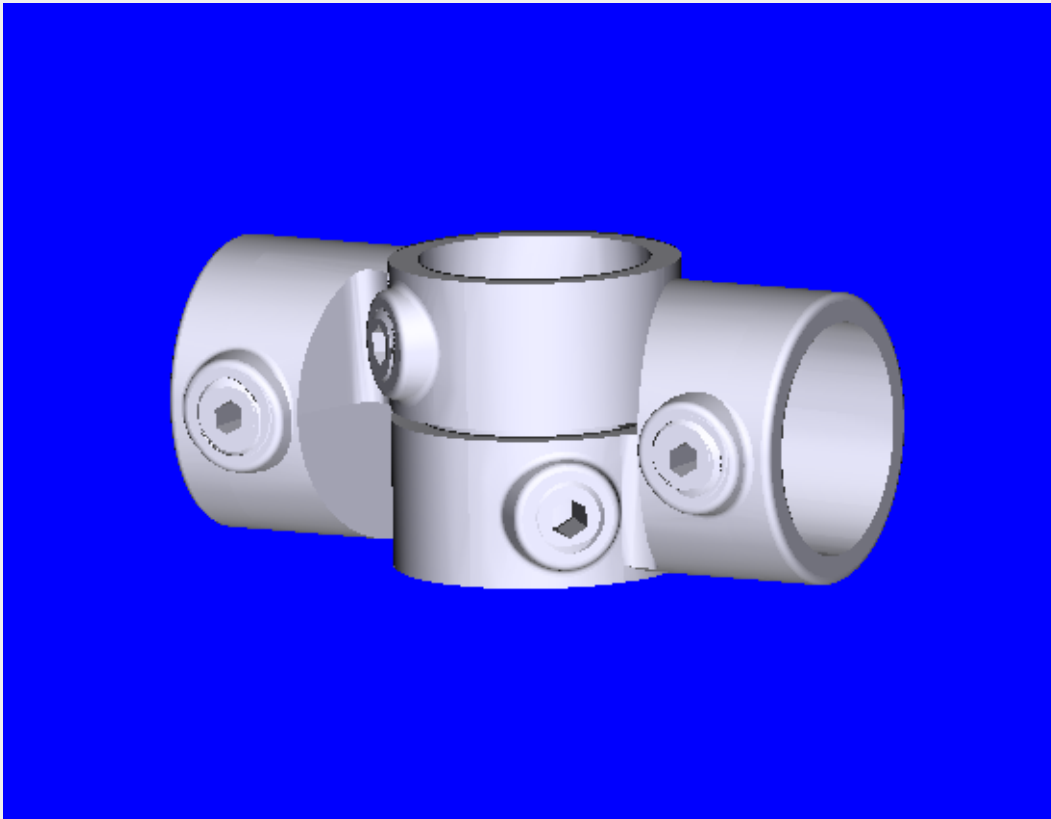


3D MasterKlamp Image

Description:

The adjustable swivel cross is designed to give a variable corner joint. It can be used at any selected angle between 90° and 180°.

Instructions: move pointer over image, right click and drag to rotate



Available sizes:

2.10.27
2.10.34
2.10.42
2.10.48

Note: Sizes given are the outside diameter (OD) pipe sizes that the clamp suits. A conversion table from OD to NB is shown below.

<u>OD (mm)</u>	<u>NB (mm)</u>
21	15
27	20
34	25
42	32
48	40
60	50

Name: MasterKlamp Adjustable Swivel Cross Set

Code: 2.10.____

Additional MasterKlamp information available from www.masterklamp.com

MASTERKLAMP