

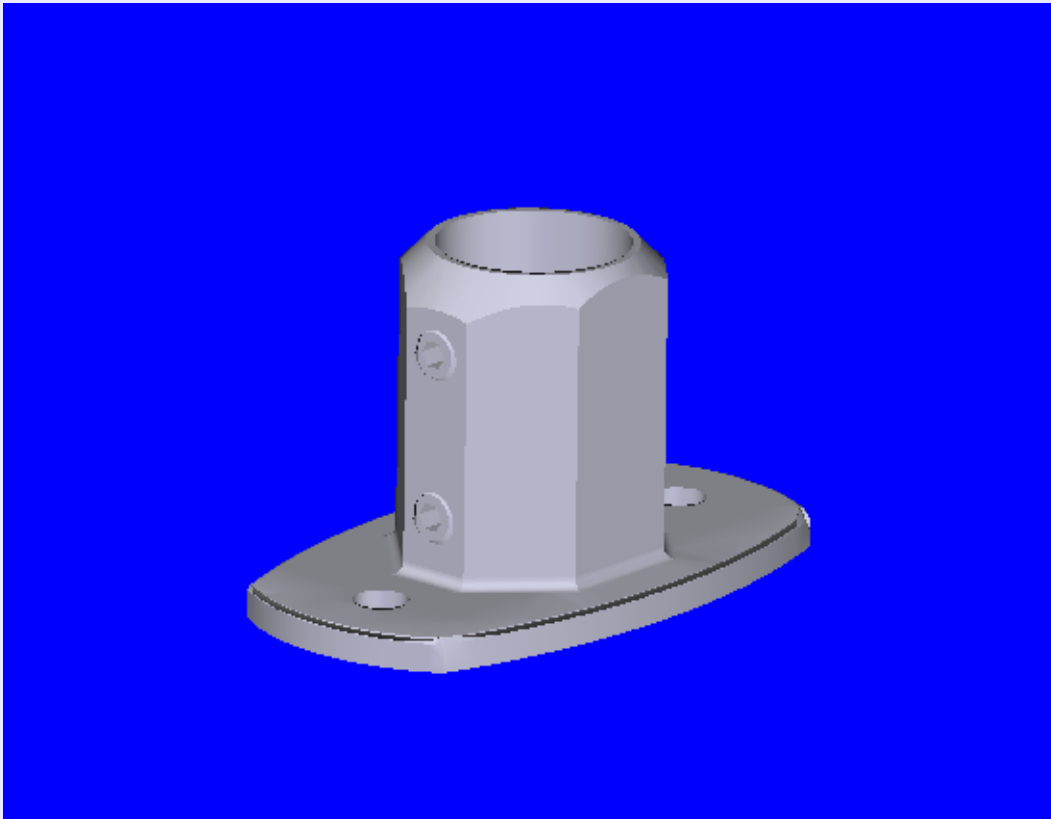
3D MasterKlamp Image

Description:

The railing base flange is designed as a strong base flange to support vertical posts. The fixing holes in the base should be set in line with the applied load.

The light weight and anti-corrosive properties of the aluminum clamp results in a clamp that is suited to aluminum tubing, is light weight and easy to manage and has good anti-corrosive properties.

Instructions: move pointer over image, right click and drag to rotate



Available sizes:

L.4.02.48

Note: Sizes given are the outside diameter (OD) pipe sizes that the clamp suits. A conversion table from OD to NB is shown below.

<u>OD (mm)</u>	<u>NB (mm)</u>
----------------	----------------

48	40
----	----

Name: MasterKlamp Railing Base Flange

Code: L.4.02.____

Additional MasterKlamp information available from www.masterklamp.com

MASTERKLAMP